

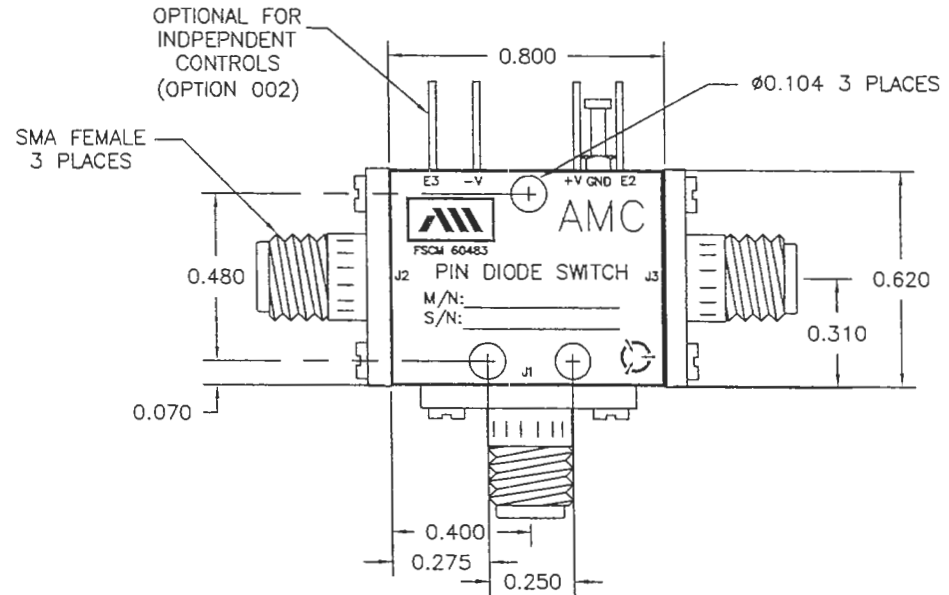
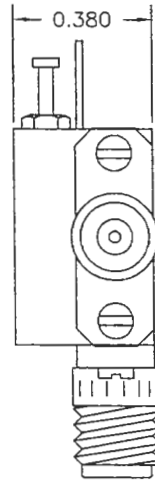
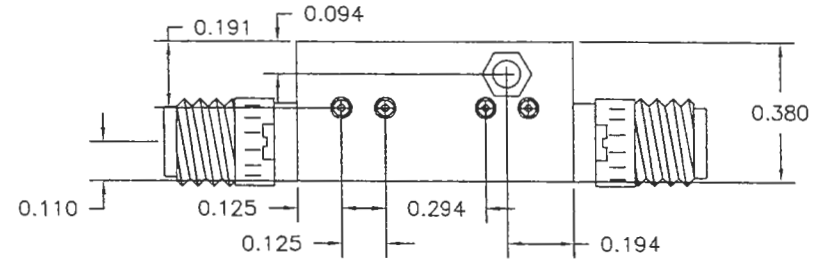
DESCRIPTION:

AMC MODEL SWN-2181-2A-RN, OPTION: 0505 IS A 50 TO 500 MHz, SP2T SWITCH HAVING A VSWR OF 1.7:1 MAXIMUM, 55 dB MINIMUM ISOLATION AND A SWITCHING TIME OF 500 μ Sec.

| REVISIONS | | | | |
|-----------|------|------------------|--------------|----------|
| ZONE | REV. | DESCRIPTION | DATE | APPROVED |
| | - | ORIGINAL RELEASE | JOB# 403032X | 3/17/04 |

SPECIFICATIONS:

- FREQUENCY: 50 - 500 MHz
- INSERTION LOSS: 1.3 dB MAXIMUM
- VSWR: 1.7:1 MAXIMUM
- ISOLATION: 55 dB MINIMUM
- INPUT 1 DB COMPRESSION POINT: 27 dBm MINIMUM
- DC SUPPLY VOLTAGE: +5V \pm 5% 4.75V MINIMUM
5.25V MAXIMUM
- DC SUPPLY VOLTAGE: -14V \pm 5% -13.75V MINIMUM
-14.25V MAXIMUM
- DC INPUT CURRENT: +5V = 100 mA MAXIMUM
-14V = 65 mA MAXIMUM
- WEIGHT: 0.6 oz MAXIMUM
- SWITCHING TIME: 500 μ Sec
- V_{IH} HIGH LEVEL INPUT VOLTAGE: 2 V MINIMUM
- V_{IL} LOW LEVEL INPUT VOLTAGE: 0.8 V MAXIMUM
- I_{IH} HIGH LEVEL INPUT CURRENT, V_I = 2.7V: 50 μ A MAXIMUM
- I_{IL} LOW LEVEL INPUT CURRENT, V_I = 0.4V: -1.0 mA MINIMUM



ALL DIMENSIONS ARE IN INCHES
TOLERANCES:
X.XX \pm 0.020
X.XXX \pm 0.010

| LOGIC | RF ON | RF OFF |
|-------|-------|--------|
| 0 | J1-J2 | J1-J3 |
| 1 | J1-J3 | J1-J2 |

ENVIRONMENTAL RATINGS:

- TEMPERATURE: 0°C TO +85°C (OPERATING)
-65°C TO +85°C (NONOPERATING)
- ALTITUDE: SEA LEVEL TO 4,000 FEET (OPERATING)
SEA LEVEL TO 50,000 FEET (NONOPERATING)
- HUMIDITY: IAW MIL-STD-202, METHOD 106
- FUNGUS: IAW MIL-STD-454, REQUIREMENT 4
- SALT FOG: IAW MIL-STD-202, METHOD 101, CONDITION B (EXCEPT 5% SALT SOLUTION, 48 HOURS)
- SHOCK: IAW MIL-STD-202, METHOD 213, CONDITION A
- VIBRATION: IAW MIL-STD-202, METHOD 204, CONDITION A

NOTE: SPECIFICATIONS WILL VARY OVER OPERATING TEMPERATURE
NOTE: THE ABOVE SPECIFICATIONS ARE SUBJECT TO CHANGE OR REVISION

AMERICAN MICROWAVE CORPORATION

7311-G GROVE ROAD
FREDERICK, MARYLAND 21704 USA
TEL: 301-662-4700 FAX: 301-662-4938
WEBSITE: www.americanmicrowavecorp.com
E-MAIL: sales@americanmicrowavecorp.com
ISO 9001:2000 CERTIFIED



| APPROVALS | | DATE | TITLE | | | REV. |
|-------------------|--|---------|---|----------|----------|--------|
| DRAWN <i>gdf</i> | | 3/17/04 | PRODUCT FEATURE SWN-2181-2A-RN OPTION: 0505 | | | - |
| CHECKED <i>pb</i> | | 4/13/04 | SIZE | FSCM NO. | DWG NO. | |
| ISSUED | | | A | 60483 | 100-6939 | |
| | | | SCALE | N:S | SHEET | 1 OF 3 |